



Stainless Steel Sinks & Accessories

200052

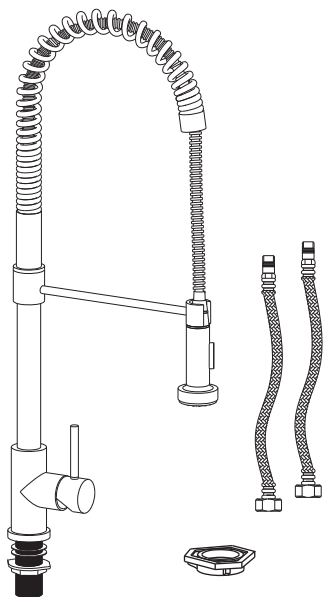
Address : 5171 Steeles Ave West, Toronto M2N 3G7

Installation Instruction

Single Handle Pre-Rinse Kitchen Faucet

Before Your Installation

Check to make sure you have the following parts indicated below:



Tools You Will Need



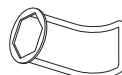
Phillips screwdriver



Adjustable wrench



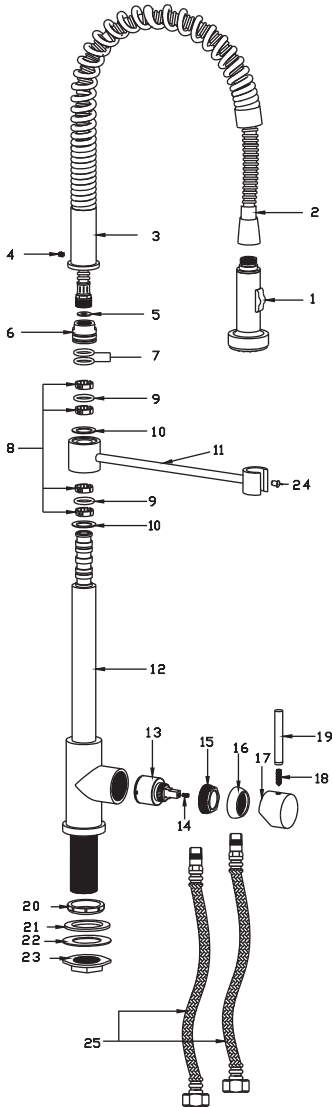
Spanner for aerator
(supplied)



Spanner

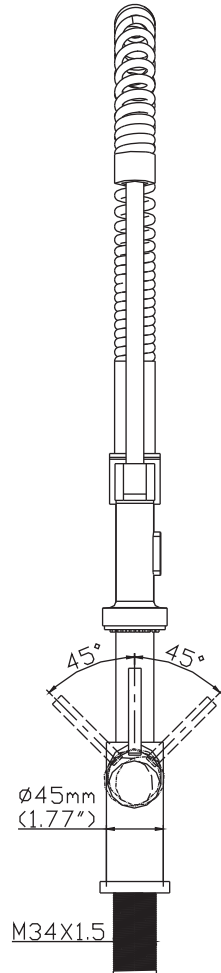
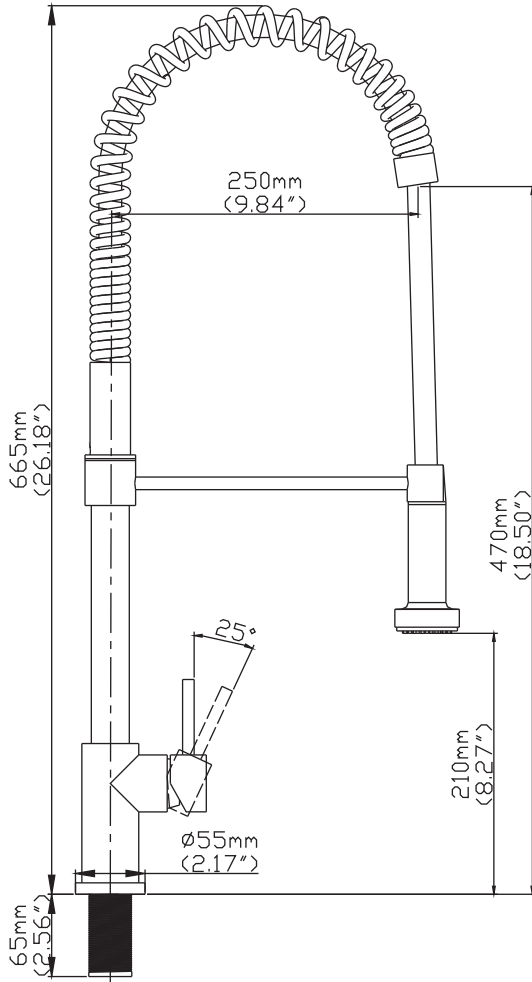
Replacement Parts

Keep this manual for ordering replacement parts.

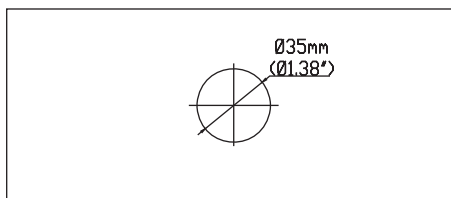


NO	NAME
1.	Sprayer
2.	Flex hose
3.	Spout
4.	Screw
5.	Flat gasket
6.	Connector
7.	O-ring
8.	Lock ring
9.	O-ring
10.	Anti-friction gasket
11.	Faucet body (with shower holder)
12.	Faucet body
13.	Cartridge
14.	Screw
15.	Lock nut
16.	Cartridge holder
17.	Handle body
18.	Screw
19.	Knob
20.	Bottom gasket
21.	Rubber gasket
22.	Steel gasket
23.	Hexagon nut
24.	Fixed lock ring
25.	Hose

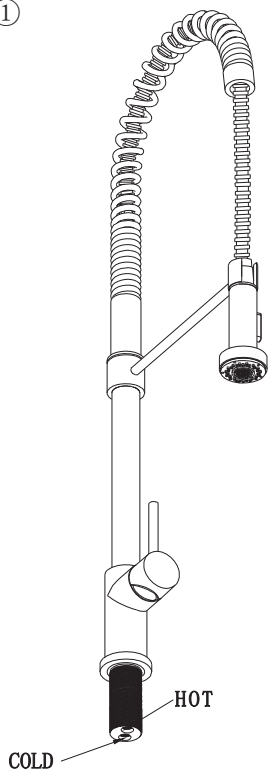
Product Dimension Drawing



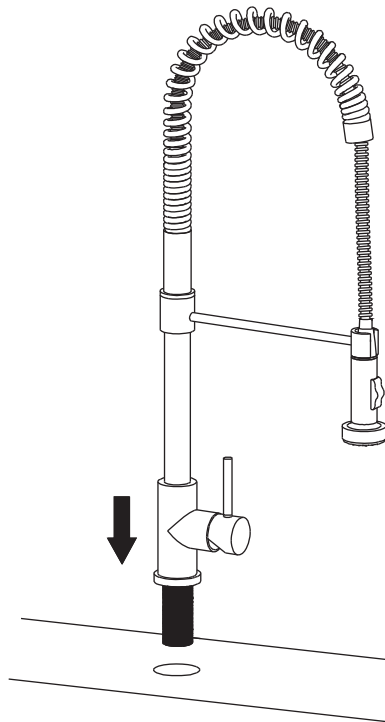
Faucet Installation Procedures



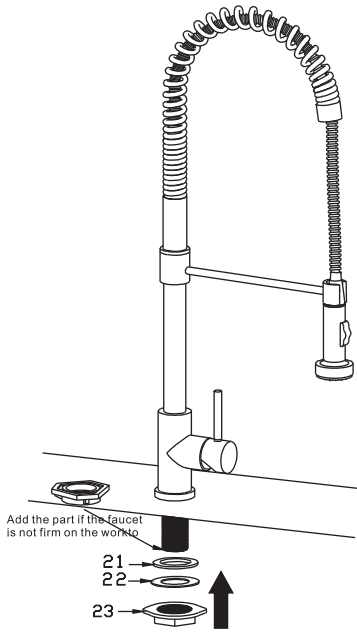
Step ①



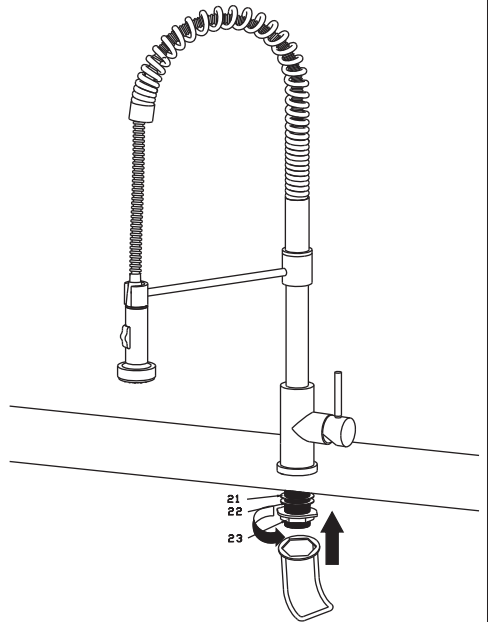
Step ②



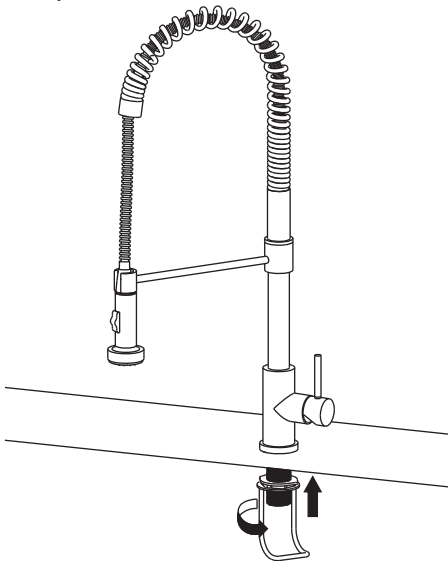
Step③



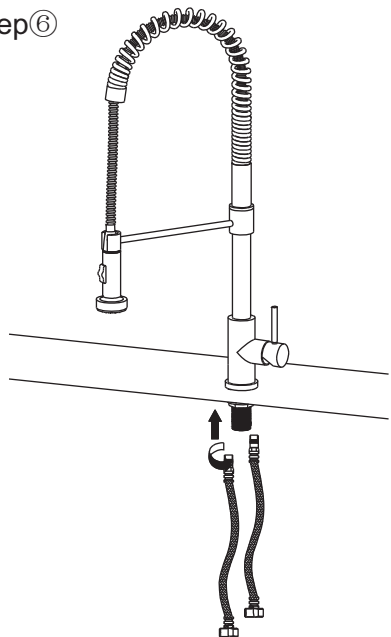
Step④



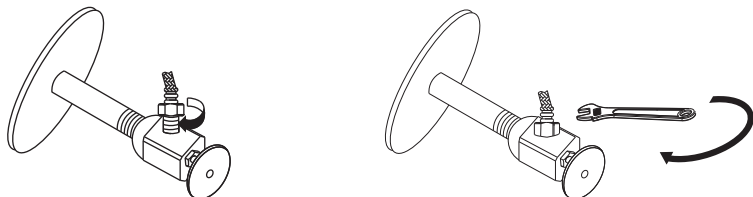
Step⑤



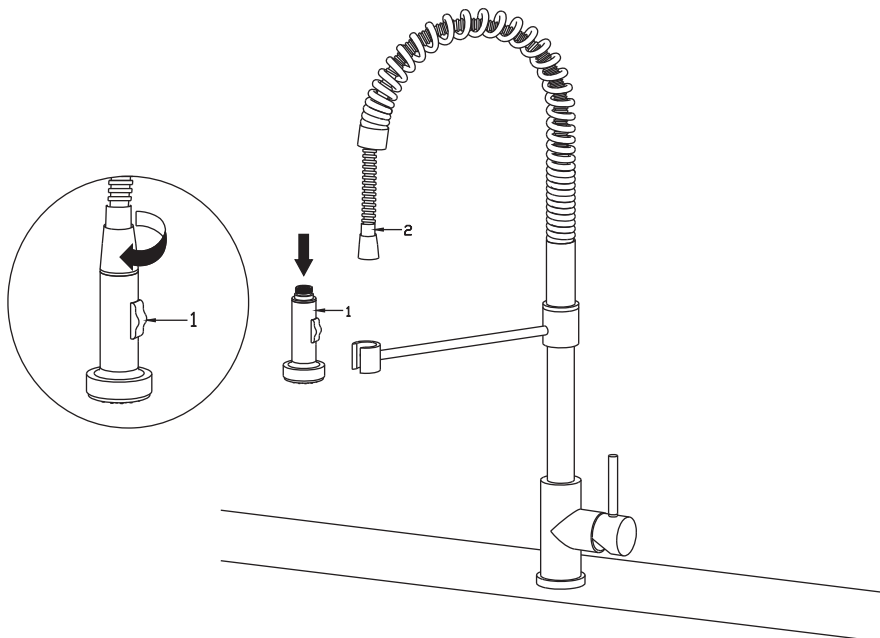
Step⑥



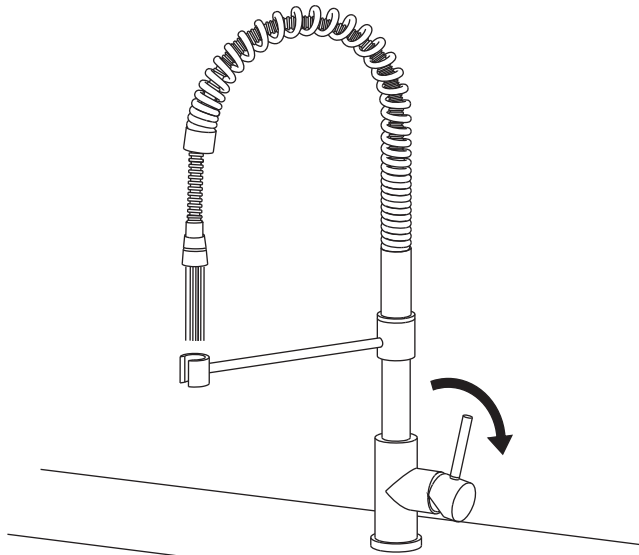
Step ⑦



Step ⑧



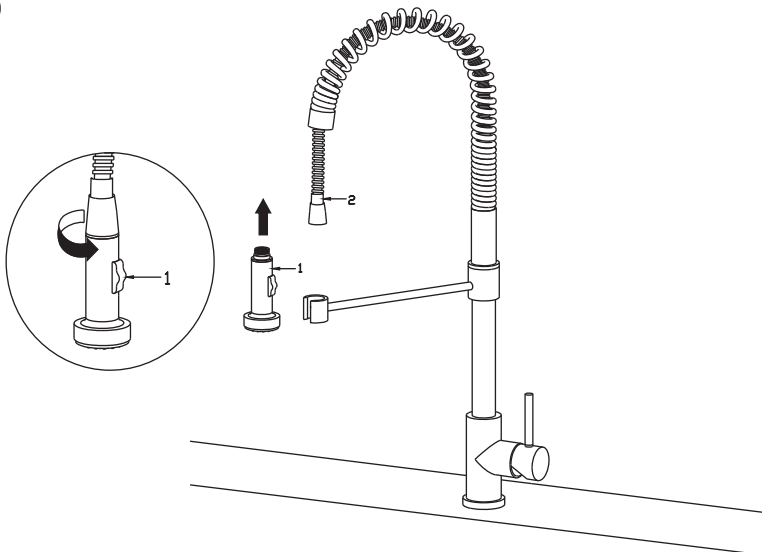
Step 9



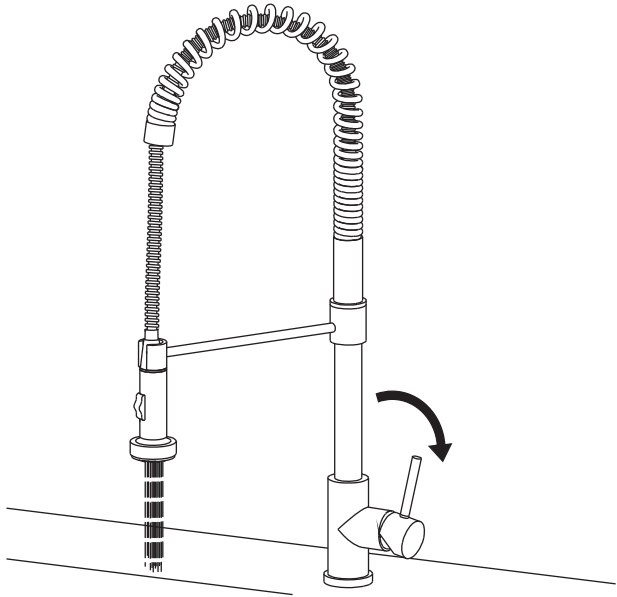
Notice:

Please removing all of the sand, silt and other things from the water hose before assembling, to avoid blocking the faucet and effecting water rate. Please use the special tools to disassemble it and wash with pneumatic equipment, if the faucet blocked.

Step 10



Step ⑪



Step ⑫

